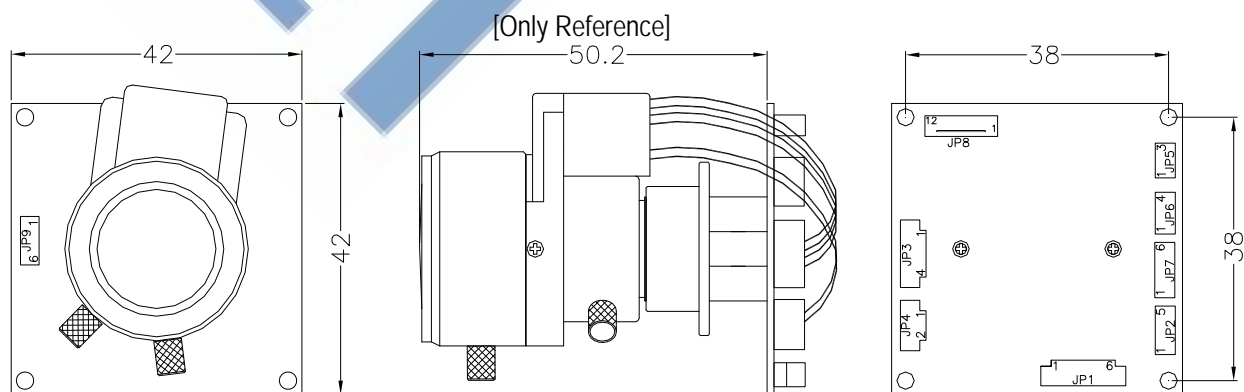


# SPECIFICATION

|                             |   |  |
|-----------------------------|---|--|
| MODE NO.                    | MTV-53VV120HN-EX-DIRVF  | MTV-53VV120HP-EX-DIRVF   |
| TV SYSTEM                   | NTSC  | PAL  |
| IMAGE SENSOR                | 1/3-inch I.L. CCD Image Sensor                                  |  |
| CCD TOTAL PIXELS            | 976(H)x582(V)   | 976(H)x494(V)  |
| SYNC SYSTEM                 | Internal/external   |  |
| LENS & VIEW ANGLE           | 2.8-11mm / F1.4-2.9 (VF-LENS With IR-filter Removable Switcher) |  |
|                             | W: 125.2° X 97.1° X 71.1° / T: 31.6° X 25.3° X 19.0°            |  |
| MINIMUM ILLUMINATION        | 0.01 Lux ,AGC ON ,Sensup OFF                                    |  |
| RESOLUTION                  | 700 TVL   |  |
| WHITE BALANCE               | Mode  | ATW / AWC  |
|                             | Range   | 3200 ~ 10000 °K  |
| S / N RATIO TYPICAL ( MAX ) | 48dB (MIN) / 52dB (TYP) (Gamma, Aperture, AGC, OFF)             |  |
| FRAME INTEGRRATION          | Select by OSD (MAX NTSC:60X / PAL:50X)                          |  |
| H - MIRROR FUNCTION         | Select by OSD   |  |
| V - MIRROR FUNCTION         | Select by OSD   |  |
| B.L.C. FUNCTION             | Select by OSD   |  |
| ZOOM FUNCTION               | Select by OSD   |  |
| FLICKLESS                   | Select by OSD   |  |
| ENHANCE                     | Select by OSD   |  |
| GAMMA CORRECTION            | 0.45 / 1.0  |  |
| FOG                         | OFF/LOW/MID/HIGH  |  |
| GAIN CONTROL                | AGC ON / OFF (MAX Analog 36dB , Digital 24dB : Total 60dB)      |  |
| AUTO IRIS                   | A.E.S. / DC-IRIS  |  |
| DNR                         | Built-in 2D / 3D_DNR (Digital Noise Reduction)                  |  |
|                             | OFF/LOW/MID/HIGH  |  |
| ICR CONTROL                 | AUTO / OFF/External   |  |
| Motion detection            | Motion detect out-low level                                     |  |
| XDR                         | OFF/LOW/MID/HIGH  |  |
| ELECTRONIC SHUTTER          | A.E.S.  | 1/60(50)~1/120,000 sec.  |
|                             | FIX.  | 1/100,1/120,1/180,1/350,1/500,1/750,1/1000,1/2000,1/4000,1/10000sec. |
| VIDEO OUTPUT                | 1.0V p-p composite video at 75 ohm                              |  |
| OPERATION TEMPERATURE       | -20°C TO 50°C   |  |
| OPERATIONAL HUMIDITY        | within 85% RH   |  |
| POWER SUPPLY                | DC12V±1V/150mA  |  |

\*The specifications and appearance of the product may changed without notice.

Dimension: Unit ( ±0.3 /mm)



<<Picture>>

| JP1 |         | JP3 |          | JP6 |                     | JP8 |       | JP9 |       |
|-----|---------|-----|----------|-----|---------------------|-----|-------|-----|-------|
| 1   | +12V in | 1   | DMP-     | 1   | Motion out (ON)     | 1   | YCCLK | 1   | F_RST |
| 2   | GND     | 2   | DMP+     | 2   | GND                 | 2   | YCO0  | 2   | F_CS  |
| 3   | VBS out | 3   | DRV+     | 3   | IR Comp. in (+3.3V) | 3   | YCO1  | 3   | F_CLK |
| 4   | GND     | 4   | GND      | 4   | GND                 | 4   | YCO2  | 4   | F_DI  |
| 5   | L.L.    | JP4 |          | JP7 |                     | 5   | YCO3  | 5   | F_DO  |
| 6   | GND     | 1   | ICR_DRV1 | 1   | N.C.                | 6   | YCO4  | 6   | GND   |
| JP2 |         | 2   | ICR_DRV2 | 2   | ENTER               | 7   | YCO5  |     |       |
| 1   | GND     | JP5 |          | 3   | PREV                | 8   | YCO6  |     |       |
| 2   | TX      | 1   | VR+      | 4   | UP                  | 9   | YCO7  |     |       |
| 3   | RX      | 2   | VR C     | 5   | DOWN                | 10  | YCHD  |     |       |
| 4   | +3.3V   | 3   | VR-      | 6   | GND                 | 11  | YCVD  |     |       |
| 5   | 485EN   |     |          |     |                     | 12  | GND   |     |       |

**MINTRON**